



CHUBU  
Electric Power Grid



CHUBU  
Electric Power

# Basic specifications of switchgear equipment about reinforcement of Hokubu substation for Chubu-Kansai Interconnection Project

\*The contents of general technical information are subject to change based on the results of detailed design.

Chubu Electric Power Grid Co., Inc.

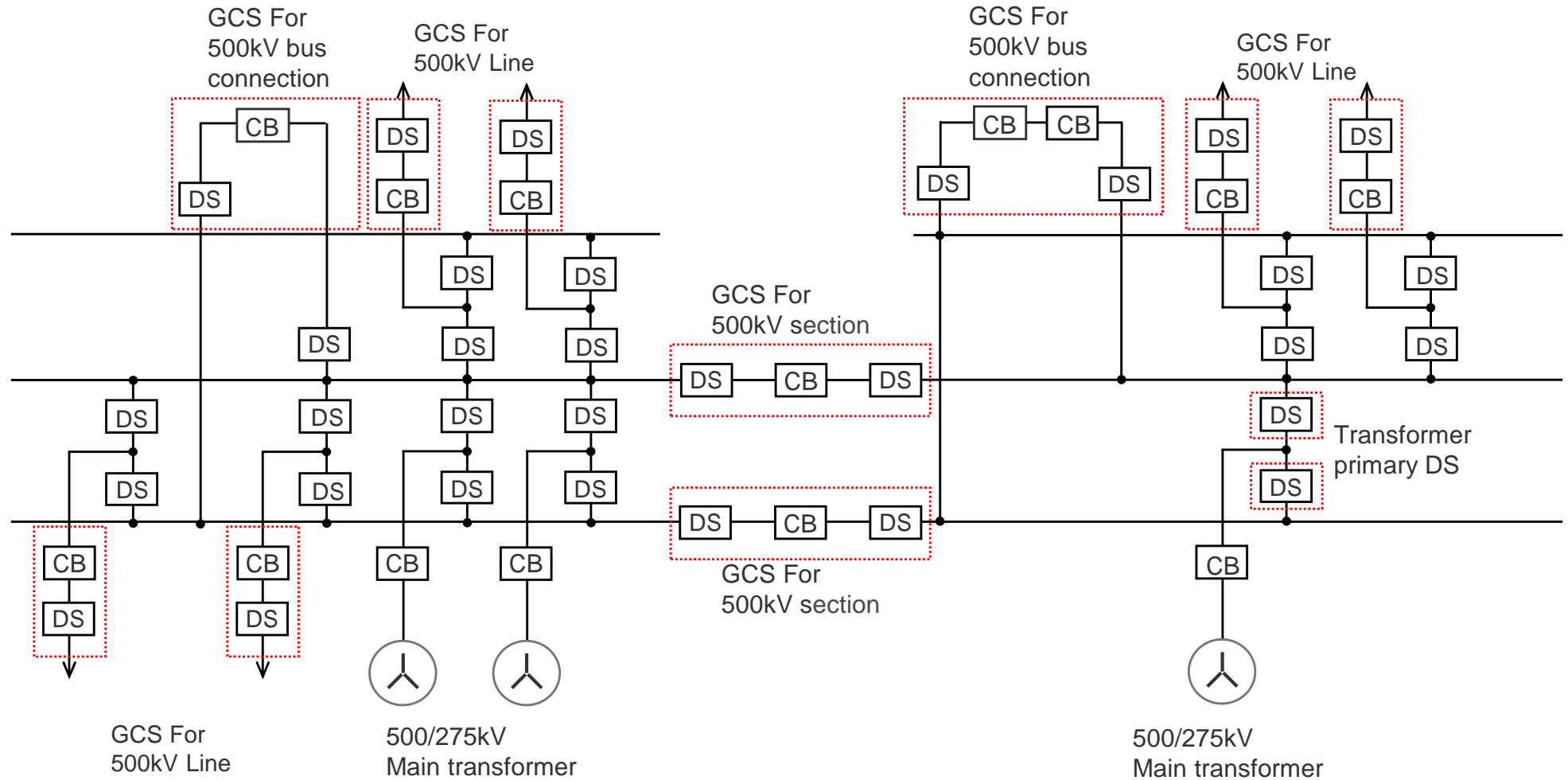
## Outline of equipment

Equipment name	Item	Existing Specification ( Implementation details )	unit
Gas Combined Switchgear ( 500kV GCS ) SF6 Gas insulation	For Section	500kV 6,000A 50kA 60Hz ( Modification or replacement due to exceeding 50kA )	2
	For bus connection	500kV 4,000A 50kA 60Hz ( Modification or replacement due to exceeding 50kA )	2
	For line	500kV 4,000A 50kA 60Hz ( Modification or replacement due to exceeding 50kA )	6
Disconnecting Switch ( 500kV DS ) Air insulation	Transformer primary	500kV 2,000A 50kA 60Hz ( Modification or replacement due to exceeding 50kA )	2

In carrying out the quotation, It is difficult to disclose data Information regarding the existing GCS cannot be disclosed due to modification. Therefor a quotation based on the assumption of replacing the entire set of equipment will also be deemed acceptable.

# Outline of equipment

## Single diagram of Hokubu substation



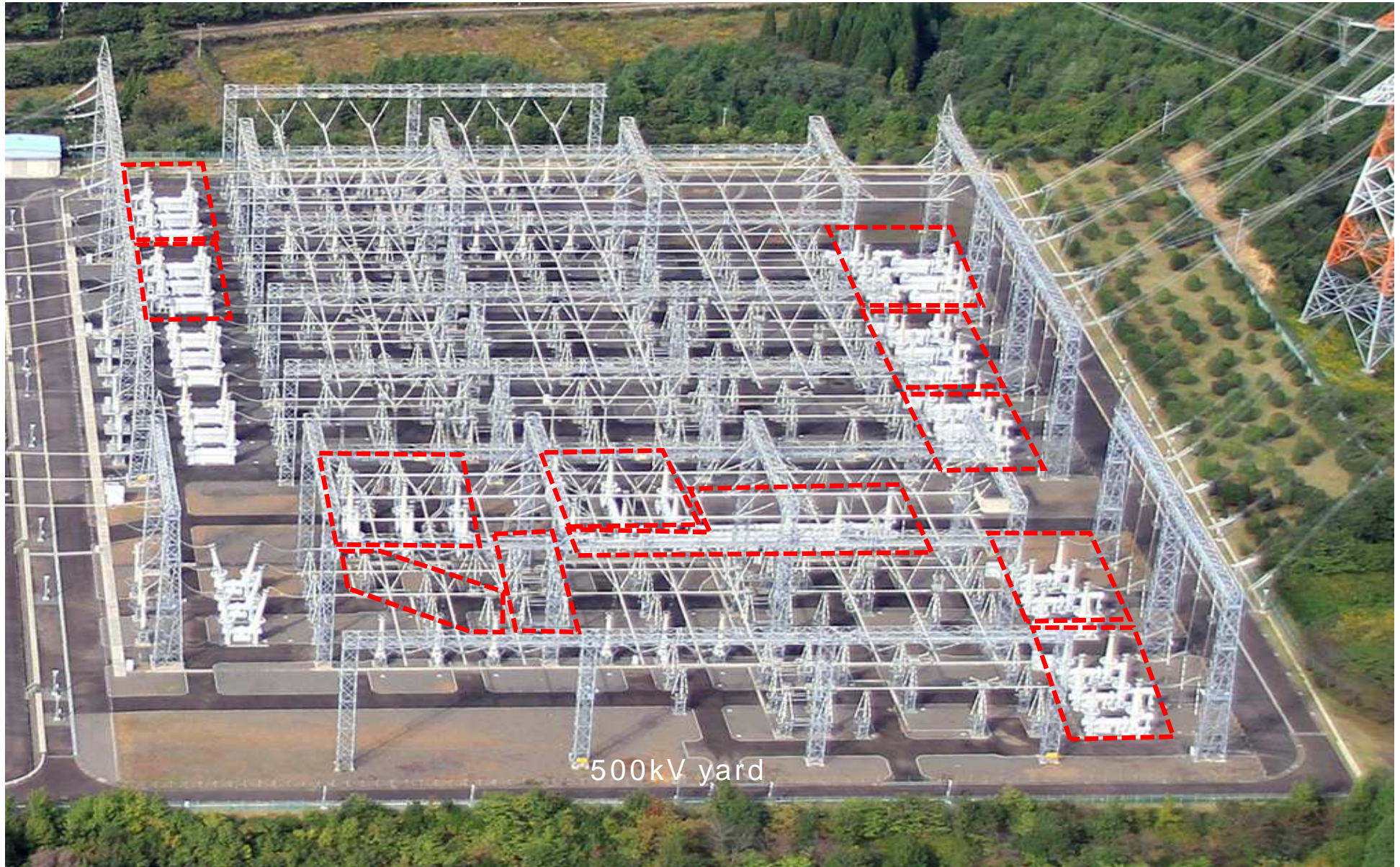
  : Equipment subject to public invitation

[legend]

<span style="border: 1px solid black; padding: 2px;">DS</span>	: Disconnecting Switch
<span style="border: 1px solid black; padding: 2px;">CB</span>	: Circuit Breaker

# Outline of equipment

 : Equipment subject to public invitation





**CHUBU**  
Electric Power Grid